

Dimension 'C' is taken from door seal lip (fire box) to the front of the floor protector.
All dimensions are in millimetres.
All dimensions are set as a minimum guide only.

SS400 C/A Clearance requirements with double 1200mm flue shield

A	B	C	D	E	F	G	H	J	K	L	M	N	P	Q	R	S	T	U
170	456	300	200	120	355	806	460	1100	945	1235	1085	583	664	700	472	150	270	445

WITHOUT FLUE SHIELD A = 405, B = 345, E = 320

Industry Rated Peak Output (kW)	Water Heating Option	Floor Protector	Emissions	Efficiency
17	Rural Only	Non Insulated	1.37g/kg	66.4%

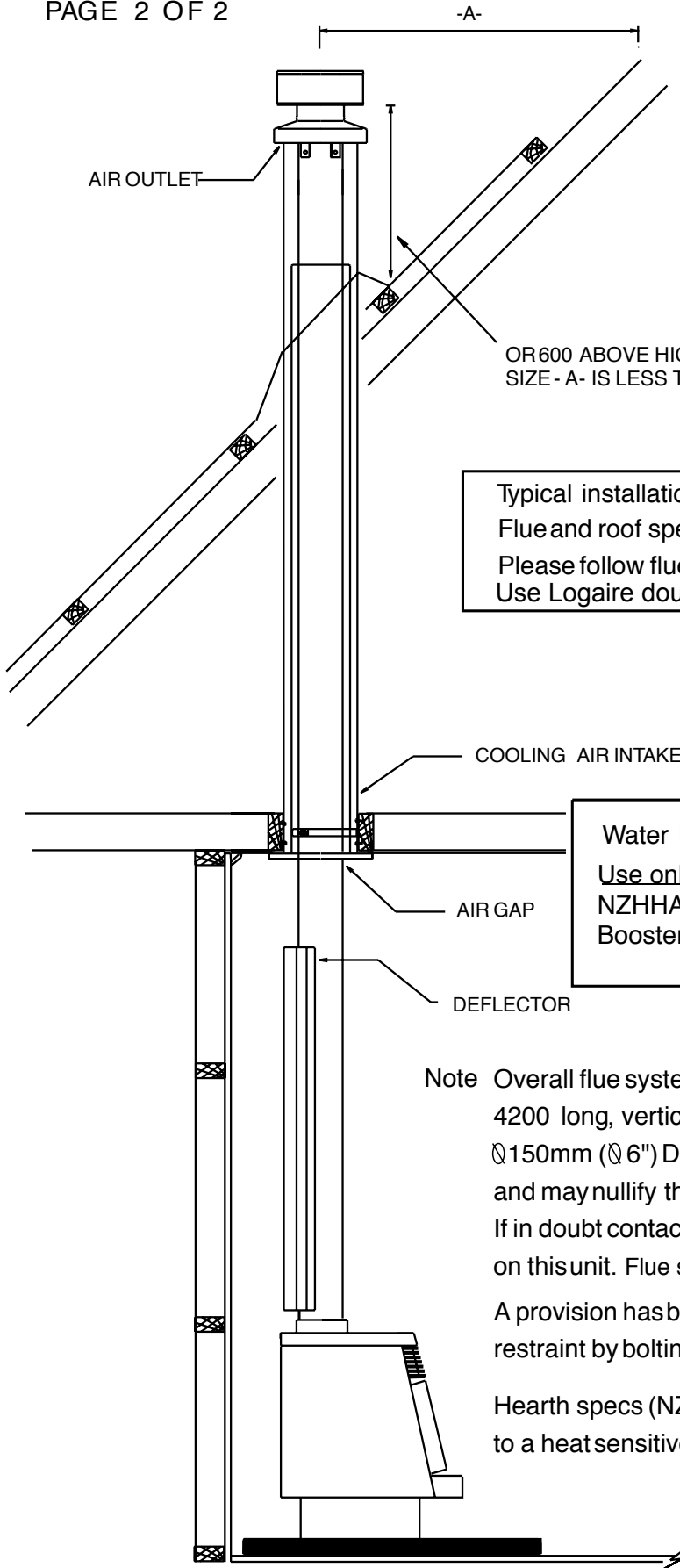
IF INSTALLED IN ACCORDANCE WITH THESE SPECIFICATIONS THE HEATER COMPLIES WITH AS/NZS 2918:2001 (A.R.S Report No. 06/1314)

RETAIL LINKS LTD RESERVE THE RIGHT TO CHANGE SPECIFICATIONS OR DESIGNS WITHOUT PRIOR NOTICE.

FREESTANDING SPECIFICATIONS

MODEL: CLEAN AIR

PAGE 2 OF 2



OR 600 ABOVE HIGHEST POINT IF SIZE - A- IS LESS THAN 3000

Typical installation shown complies with AS/NZS 2918:2001
 Flue and roof specifications are recommendations only.
 Please follow flue kit manufacturers installation instructions.
 Use Logaire double flue shield

Water Booster
 Use only a Jayline Water Booster 2.0 Kw (tested to NZHHA Max output) part# 123699. any other Water Booster will nullify the Jayline Warranty.

Note Overall flue system length for optimum performance should be 4200 long, vertical and have no bends. Flue pipes should be $\varnothing 150\text{mm}$ ($\varnothing 6"$) Deviation from this may alter heaters performance, and may nullify the Jayline Warranty
 If in doubt contact your Jayline supplier. Stainless steel deflector tested on this unit. Flue system must comply with Appendix F of AS/NZS 2918:2001
 A provision has been made at the rear of the pedestal for seismic restraint by bolting through the two holes provided
 Hearth specs (NZ) minimum floor protector only e.g ceramic tiles glued to a heat sensitive floor.

IF INSTALLED IN ACCORDANCE WITH THESE SPECIFICATIONS THE HEATER COMPLIES WITH AS/NZS 2918:2001 (INCLUDING APPENDIX F)

RETAIL LINKS LTD RESERVE THE RIGHT TO CHANGE SPECIFICATIONS OR DESIGNS WITHOUT PRIOR NOTICE.